

# Gorgeous Group Limited

ledlight@saving-star.com; savingledlight@gmail.com | T: +86 592 559 4418 Cell: +86 18965183418 | www.saving-star.com

## Quotation Sheet

To:LED Batten with Track

Version 1601

No.	Model	Watts.	Volts	Light Source	Color Temp(K)	Lumens	Installation	Beam angle	Size(mm)	Picture
1	LB-1500-60	60	120/230V AC	SMD LED	3000K, 4000K, 5000K, 5700K	6000lm	Track mounted	110°	46*63*1498	Please refer below picture
2	LB-3000-120	120	120/230V AC	SMD LED	3000K, 4000K, 5000K, 5700K	12000lm	Track mounted	110°	46*63*3000	Please refer below picture

Please note: 1-499pcs: 20% higher

- 1 If you need white color housing shell, the price will be \$2 per meter higher.
- 2 Above price including LED light, track and one type of accessory: hang down or ceiling accessory, but excluding the suspension cable.
- 3 The price of one meter suspension cable is US \$2.0 per piece, 1.5m light need 2pcs wiring cable ( You can ask for better and longer wiring cable with higher price)

### Remarks:

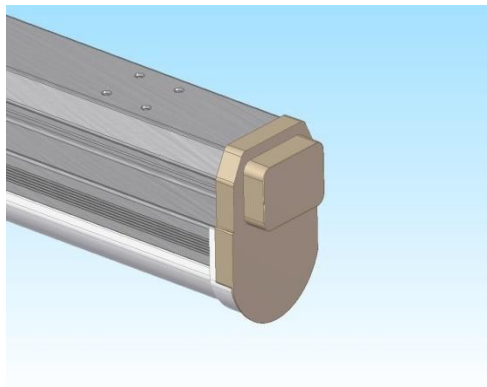
1. Payments: T/T
2. Delivery time: 30days after receiving the payment from customers.
3. Different color temperature, same price
4. Certification: CE RoHS
- 5.. Available until Dec. 30th,2017



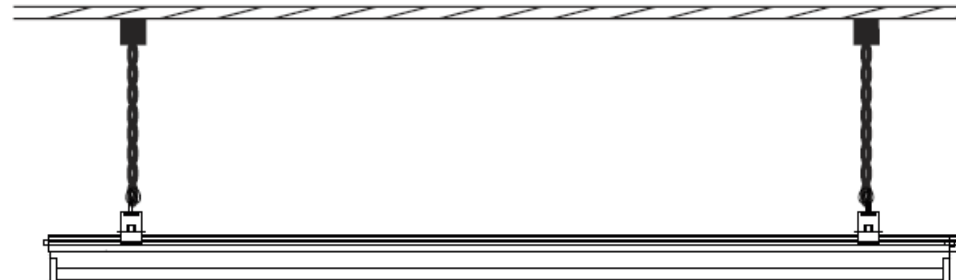
**Hang down installation accessory(SS301):**  
including in the lamp price. 1.5m lamp allocate 2pcs.  
Hang down and ceiling need be chosen one.



**Ceiling installation accessory (SS301):**  
including in the lamp price.



**End cap fixture: US\$0.5/PC. Quantity up to Customer.**



**Suspension cable:**  
Standard one don't included. Can be customization and charge the cost according the design.  
Begin wiring fixture: US\$2.0/PC. Quantity up to Customer.

Prices: (above prices including the track system)

1.5m track system: US\$9/PC.

3.0m track system: US\$17/PC.

Kindly note, the max length of connection is 60m.



### Lead Time

Sample:12days.

Mass production begin after Material be prepared done about 35days after release order.

### Package information

**1.5m** One pc( 1.5m track with 1.5m lamp) package in one brown box with cushion. Weight: 1500g per piece.

**3.5m** One series( 3m track with 2\*1.5m lamps) package in one brown box with cushion. Weight: 3000g per piece.