



Features:

- Heat sink is designed to be integrated with housing, which improves heat dissipation condition and reduces junction temperature.
- Anodized heat sink, housing surface is coated with anti-static powder, and anti-rusted treated, the entire unit is with IP65 rated.
- Imported high lumen LED chip, the SMD LED source is assembled by patented packing knowledge, single SMD LED is with 10~100W, the lumen output is up to 90lm/W.
- LED driver with efficient as high as 91%, high accuracy and long lifespan.
- Wide AC input 85V~265Vac/47~63Hz, universally available.
- Power factor as high as 0.95
- Insulation rate: Class II
- International EMC Passed
- Directives: IEC 60598, IEC 61000-3-2:2005

Application

Workshop, toll gate, exhibition centre, gymnasium, ware house, gas station, parking area etc.

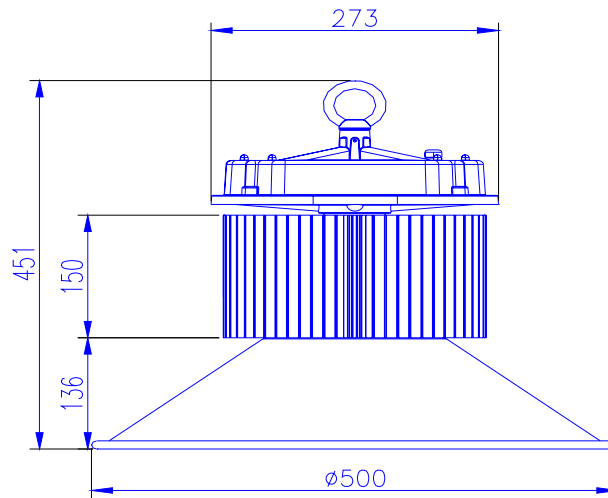
I .Lamp *Specification*

ITEM	GB-IL200W/1A-W-B
Input Voltage Range	85-265V~
Frequency Range	47Hz~63Hz
Inrush Current	60A@ 220Vac Input ; Cold start
Power Factor	0.95
Lamp Input Fuse Type	T5A 250Vac
LED Voltage	DC48V
The Q'ty of led	1 pc
Led Consumption	200W
Lamp Consumption	218W
Led Luminous Efficiency	90 Lm/W
Led Initial Flux	18000 Lm
Color Temperature	Detail information refer to above LED parameters table
Color Rendering Index	Ra>75
Beam angle	110°
LED Junction Temperature	75°C
Operate Temperature	-40°C ~ +55°C
Working Life-span	50000H
Power line	VDE HR07G 1.00mm

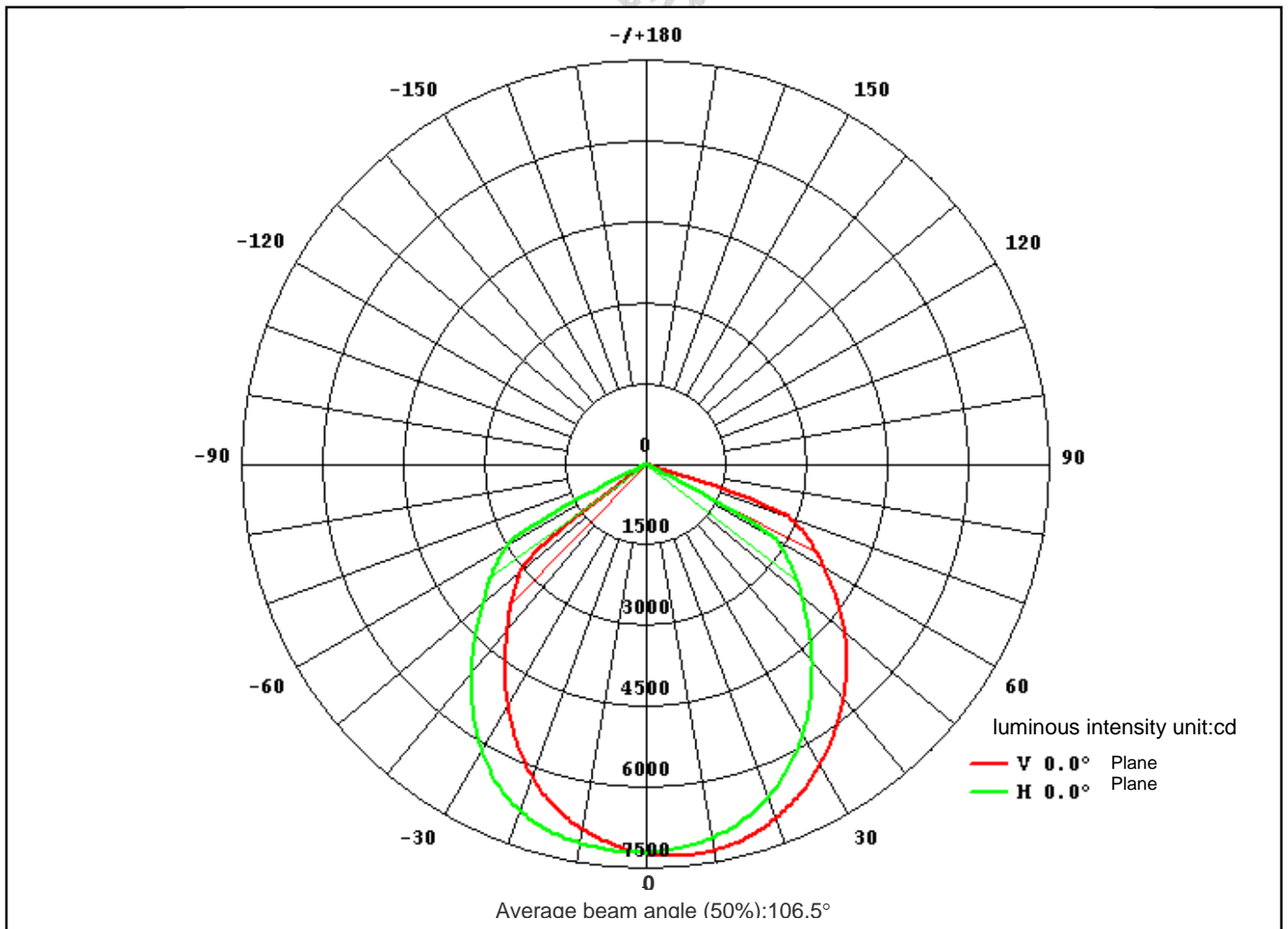
II .LED *Specification*

Item	Test condition	Min	Type	Max	Unit	
Rated Current	-	-	3.9	4.5	A	
Forward Voltage	IF=3900mA	45	48	52	V	
Color temperature	Warm white	IF=3900mA	2700	3200	3900	K
	Pure White	IF=3900mA	4000	5500	6000	K
	Cool White	IF=3900mA	6000	6500	7000	K
Normal Working Junction Temp	IF=3900mA	-	85	105	°C	
LED Qty of Chips	-	-	195	-	Pcs	
LED luminous Efficiency	IF=3900mA	80	90	100	(Lm/W)	
LED Chip Brand	Epistar					

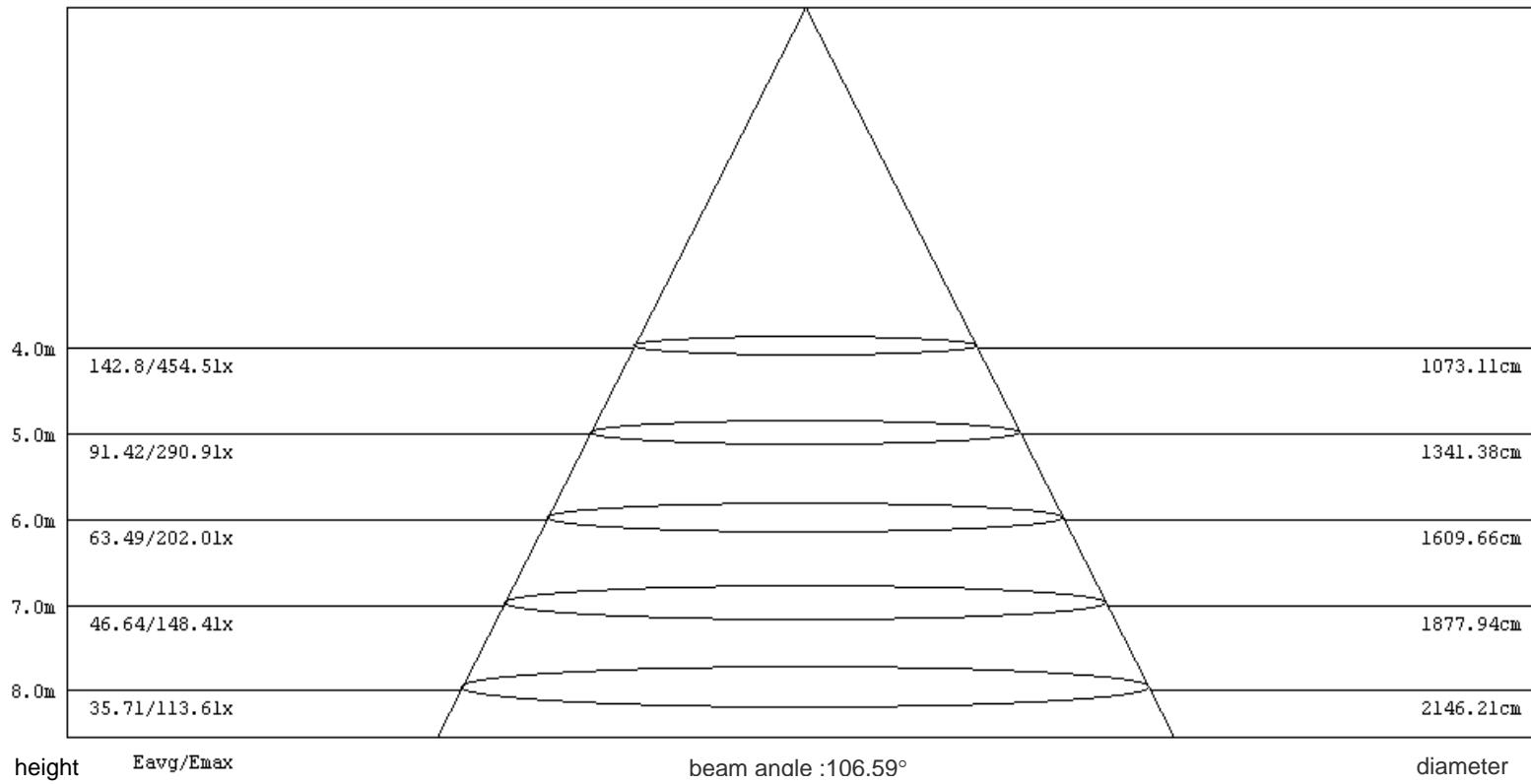
III. Size



III. Distribution curve



IV. Luminous intensity



V. Package

The size of the reflector package	
The weight of the radiator after packing	

VI. Project case

